


Drafter/Contact Information:
 hopkincb@mail.uc.edu
 (512)-917-3222

Venue: PCT
 Drafted By: Corbin Hopkins
 Revision Date: 10/16/2021

NOTES:

- Dante redundancy is implied but not shown
- The DS10 AES Outs 1-4 are on the front of the unit
- Aviom Sub System & A2 Land on second plate

Project: 

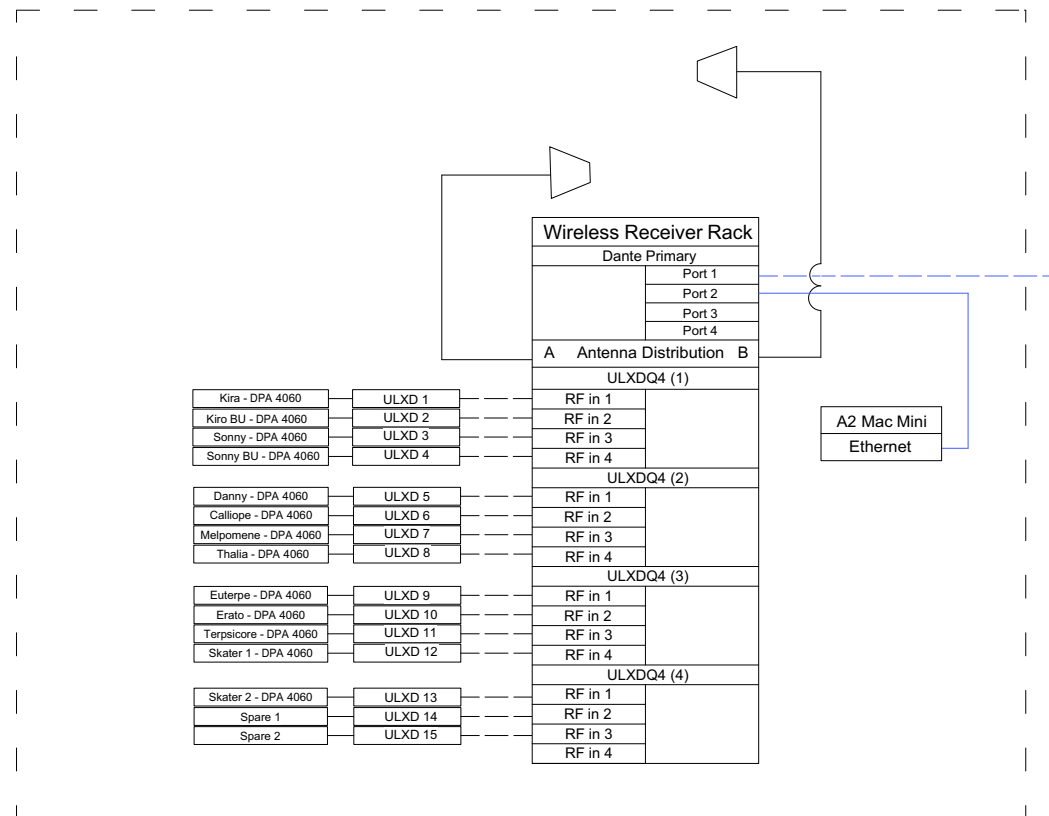
Director: Diane Lala
 Sound Designer: Alex Brock
 Asst. Designer: Corbin Hopkins
 Sheet Title: Signal Line Diagram

Date: 09/21/2021

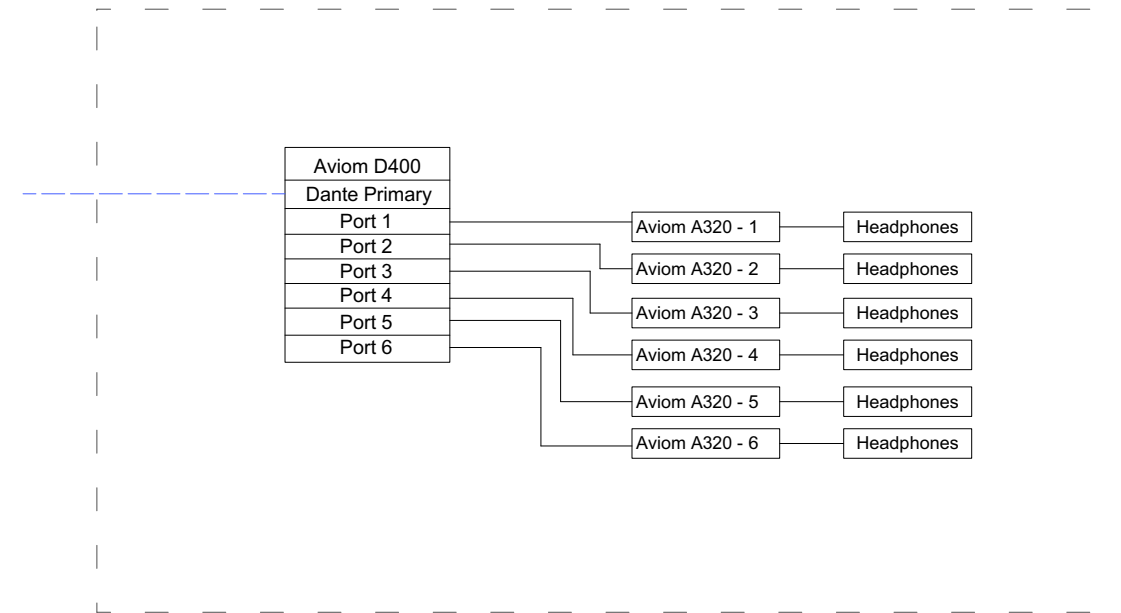
Scale: No Scale

Sheet: 1 OF 2

A2 Land




Aviom Sub System



Drafter/Contact Information:
hopkincb@mail.uc.edu
(512)-917-3222

Venue: PCT
Drafted By: Corbin Hopkins
Revision Date: 10/16/2021

NOTES:

	
Project:	
Director:	Diane Lala
Sound Designer:	Alex Brock
Asst. Designer:	Corbin Hopkins
Sheet Title:	Signal Line Diagram

Date: 09/21/2021

Scale: No Scale

Sheet: 2 OF 2